

GROVE

E.-ANLAGE FAHRGESTELL
ELECTR. CONSTRUCTION, CHASSIS

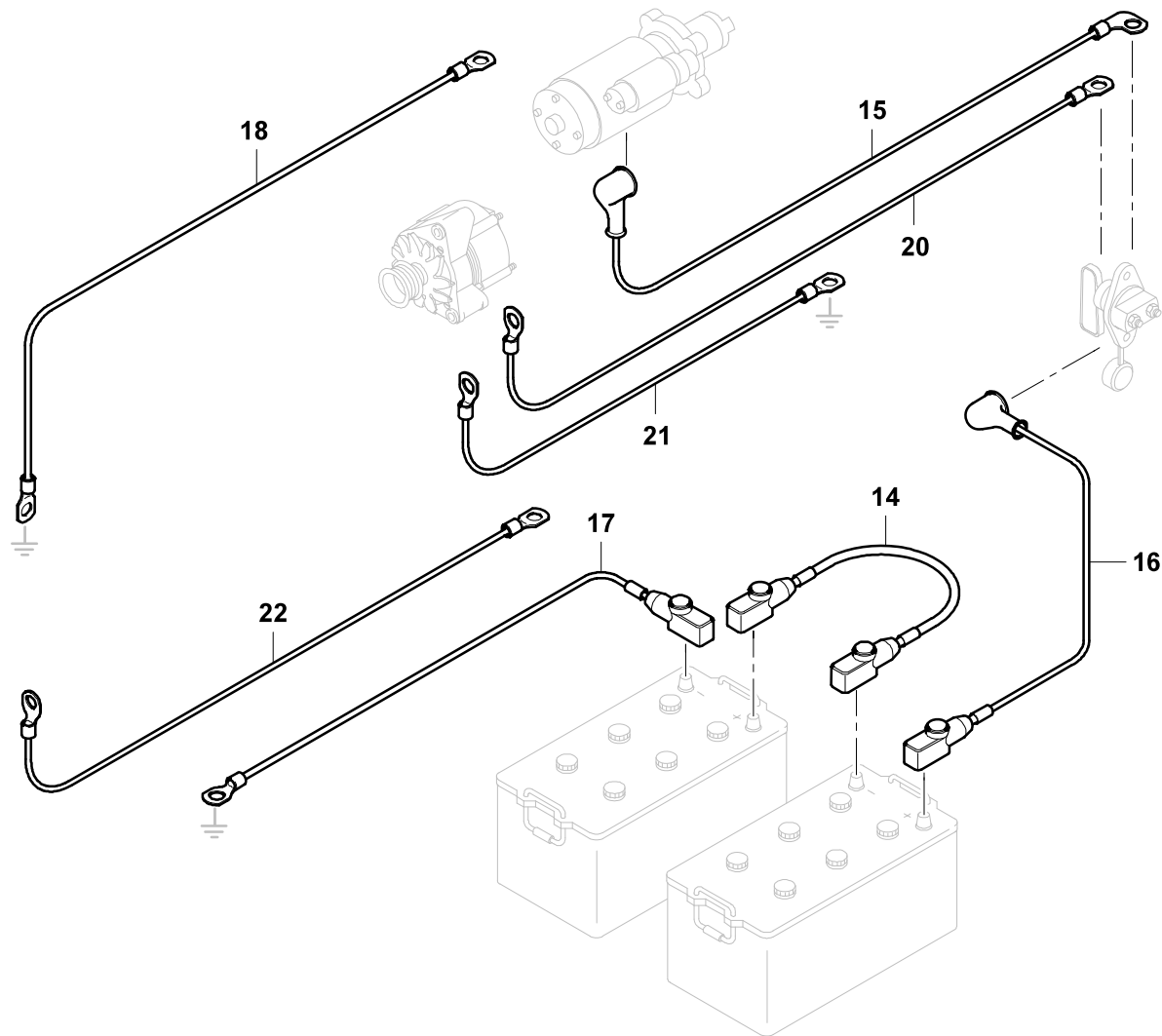
BILDТАFEL
PICTORIAL DISPLAY

GMK 3060-2
CAB 2020

08.20

4324948-ETL E

2/4



GROVE

E.-ANLAGE FAHRGESTELL

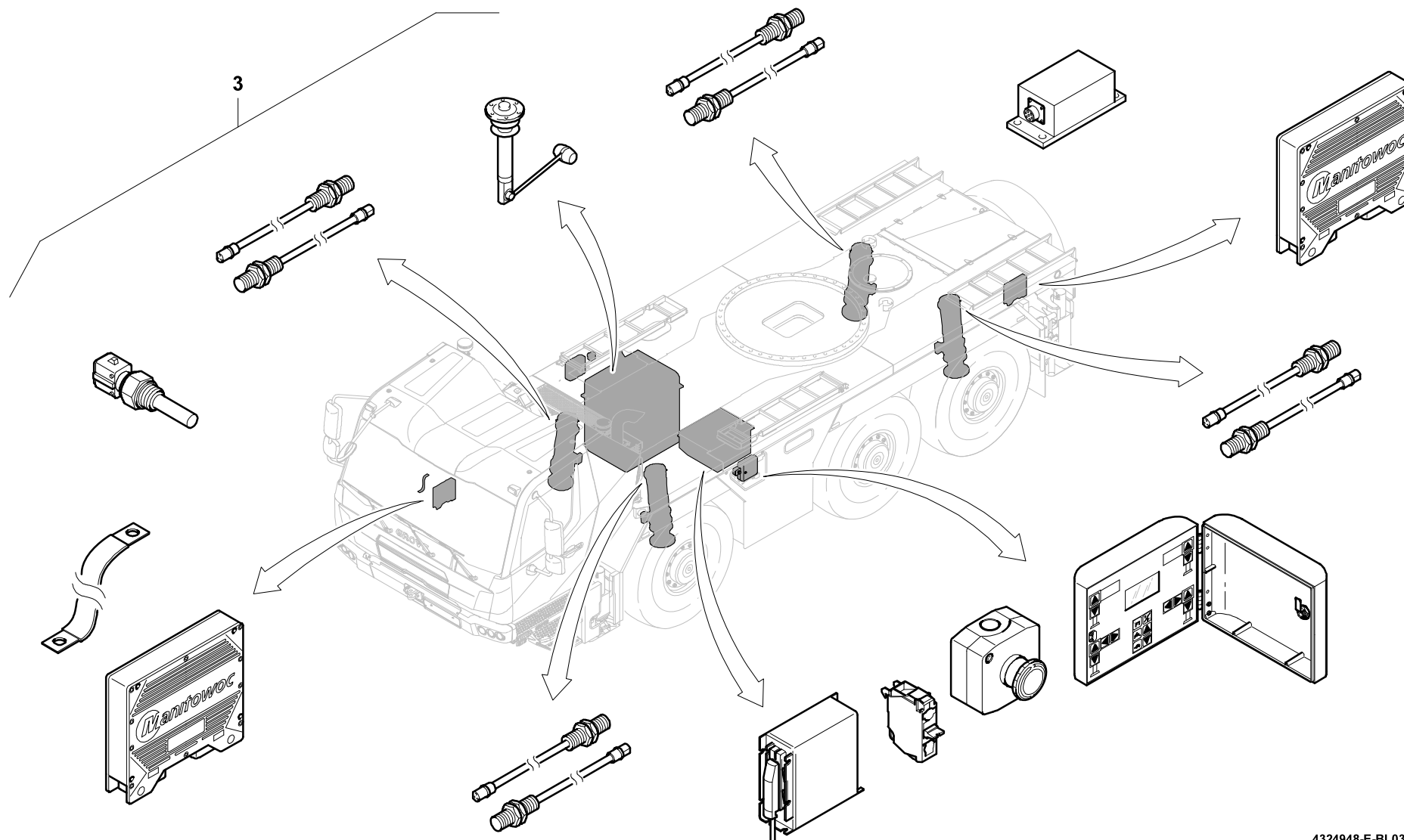
ELECTR. CONSTRUCTION, CHASSIS

BILDТАFEL
PICTORIAL DISPLAY

08.20

4324948-ETL E

3/4

**GMK 3060-2
CAB 2020**

GROVE

E.-ANLAGE FAHRGESTELL
ELECTR. CONSTRUCTION, CHASSIS

BILDТАFЕL
PICTORIAL DISPLAY

**GMK 3060-2
CAB 2020**

08.20

4324948-ETL E

4/4

